

C5 Series

A/V credenza rack

unique design with integrated thermal management simplifies system design and minimize delays

features:

- Frame to Furniture™ design complements an integrator's installation workflow
- Fully assembled frames ship separately from furniture-grade panels
- Integrated, thermostatically controlled cooling quietly protects active electronics
- Available in 1, 2 and 3 bay models and two depths
- Unique design allows panels to be replaced quickly and easily
- Available in Moderno, Sota and Klasik Styles
- Standard finishes available: Veneer, High Pressure Laminate and Thermolaminate materials



specifications:

EIA Compliant 19" A/V Credenza Rack shall be Middle Atlantic Products model # C5FF-__ (refer to chart). Credenza Rack shall be available in 1, 2 or 3 bay configurations. Overall dimensions shall be 31-1/4" H x __W" x ___" D (refer to chart). Usable height shall be 14 rackspaces per bay. Rack frames shall ship fully assembled and be constructed of steel. Total weight capacity with Middle Atlantic finishing kit shall be 600 lbs., with a maximum of 350 lbs. to be placed on the top surface. Total weight capacity of the frame only (must take into account the weight of the customer supplied finishing kit) shall be 800 lbs. Each rack bay shall come equipped with 2 pairs of 11-gauge steel rackrail tapped with 10-32 mounting holes in universal EIA spacing, black e-coat finish and numbered rackspaces. Credenza rack shall have one 50 CFM thermostatically controlled proportional speed blower per bay. Exhaust air shall exit the front of the credenza for unrestricted air flow. Thermostatically controlled fans shall be powered on at 87°F and turn off at 85°F. Credenza rack shall require vent panel, model # C5-VENT-__ (refer to chart) and have venting on the top and bottom of the face of the rack. Credenza rack shall include two adjustable side mounted horizontal lacing bars for enhanced cable management. Credenza rack shall have a steel rear access panel. Credenza rack shall be finished in a durable black powder coat. Top, sides, and front doors shall ship separately from rack frame and be model # C5_K__-__DX. Top shall be constructed of 1-1/8" OR 1" thick triple refined MDF or Particle Board, sides shall be constructed of 3/4" OR 1" thick triple refined MDF or particle board, front doors shall be constructed of 3/4" thick triple refined MDF. Top, sides and front doors shall be available in a Moderno, Sota or Klasik styles. Front doors shall be solid or plexi. Top, sides and front doors shall be available in Veneer, High Pressure Laminate and Thermolaminate materials, visit middleatlantic.com for list of available finishes. Credenza rack shall include 4 fine floor casters. Credenza rack shall be GREENGUARD Gold Certified with the exception of Veneer finishes, which shall be GREENGUARD Certified. Credenza rack shall comply with the requirements of RoHS EU Directive 2002/95/EC. Credenza rack shall be manufactured by an ISO 9001 and ISO 14001 registered company. Credenza Rack frame shall be warrantied to be free from defects in material or workmanship under normal use and conditions for the lifetime of the rack, fans shall be warrantied for a period of three years and wood panels shall be warrantied for a period of 7 years.

Customizable specification clips available at middleatlantic.com

EIA/TIA COMPLIANT



PRODUCT CERTIFIED FOR
LOW CHEMICAL EMISSIONS
UL.COM/GG
UL 2818

options:

- Shelf System insert shall be model # C5-SH-SYS__ (refer to chart)
- Flip up side shelf shall be model # C5-__FS__-__ (refer to chart)
- Slide out rotating rack bay shall have 12 rackspaces and be model C5D-SRSR12
- Adjustable Rail Bracket shall be model # C5-ARB__
- 1 bay rear door extender kit shall be model # C5-EXT-3
- Cable grommet shall be model # C5-CG-__
- Monitor mounts shall be part # C5MM-__-__
- Millwork kit shall be C5-MK__(frame depth - 27, 31)-__ (number of bays - 1,2,3)

what **great systems** are built on.™

A brand of **legrand**



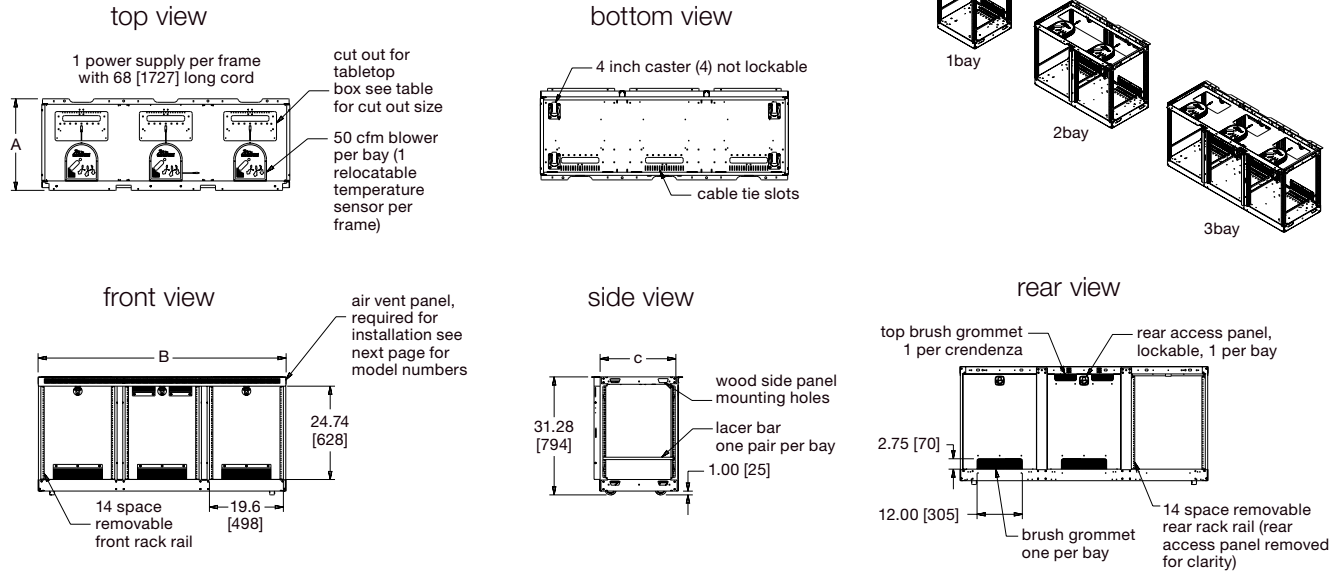
Middle Atlantic Products
middleatlantic.com | middleatlantic.com

96-01195 / rev n / 9-29-16

C5 Series

basic dimensions

all dimensions in inches unless otherwise noted [all dimensions in brackets are in millimeters]



Frame Part Number	"A" Depth	"B" Width	"C" Useable Depth	Cut Out Size	Qty of Cut Outs	DbA	Fan Free Air Rated CFM	Actual Installed CFM
C5-FF27-1	24.27 [616]	21.05 [535]	20.08 [510]	7.75 [197] X 17.05 [433]	1	33	50	46
C5-FF27-2	24.27 [616]	43.39 [1102]	20.08 [510]	7.75 [197] X 39.39 [1001]	1	34	100	91
C5-FF27-3	24.27 [616]	65.75 [1670]	20.08 [510]	7.75 [197] X 14.00 [356]	3	36	150	138
C5-FF31-1	28.13 [714]	21.05 [535]	23.94 [608]	10.00 [254] X 17.05 [433]	1	33	50	46
C5-FF31-2	28.13 [714]	43.39 [1102]	23.94 [608]	10.00 [254] X 39.39 [1001]	1	43	100	91
C5-FF31-3	28.13 [714]	65.75 [1670]	23.94 [608]	10.00 [254] X 14.00 [356]	3	36	150	138

Cooling Capabilities			
Thermal Load	Temp Change (F) C5-FF27-1 / IC5-FF27-1 C5-FF31-1 / IC5-FF31-1	Temp Change (F) C5-FF27-2 / IC5-FF27-2 C5-FF31-2 / IC5-FF31-2	Temp Change (F) C5-FF27-3 / IC5-FF27-3 C5-FF31-3 / IC5-FF31-3
0.8A-100W	3.3	1.8	1.3
1.7A-200W	7.4	4.6	3.7
2.5A-300W	9.9	6.5	4.7
3.3A-400W	14.5	7.2	5.3
4.2A-500W	17.8	10.0	7.8
5.0A-600W	21.2	11.3	9.0
5.8A-700W	25.8	14.5	10.1
6.7A-800W	26.6	15.0	12.2
7.5A-900W	31.5	17.7	13.3
8.A-1000W	33.3	19.5	15.6

Note:

1. Amperage is based on actual amperage ratings, not on nameplate ratings, which have been proven to vary significantly
2. Ideal max. temp. change 15°F based on an ambient room temp. of 70°F
3. This data is made assuming that the credenza is placed against a wall in a room

what great systems are built on.™

A brand of **legrand**



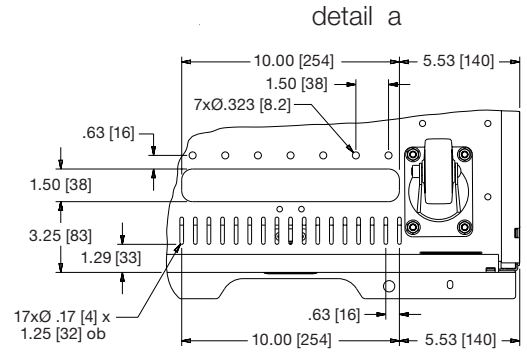
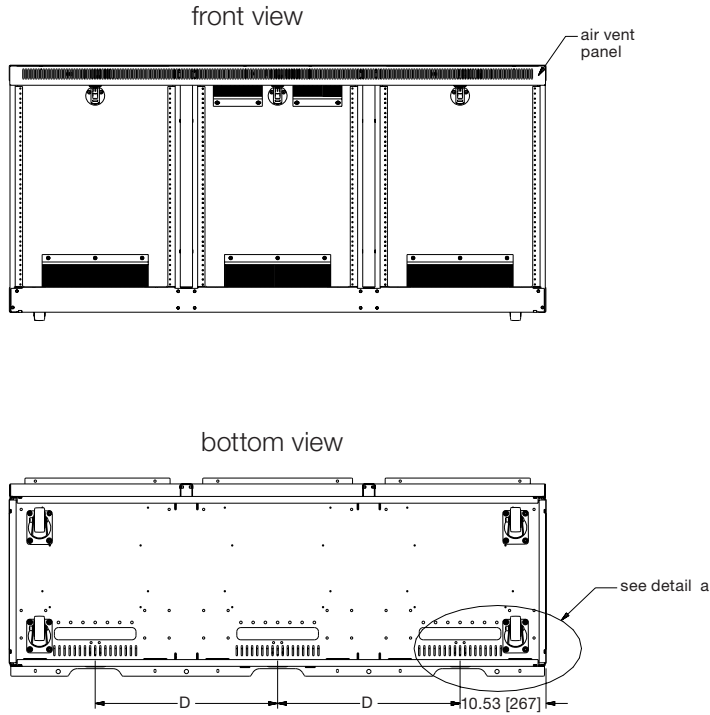
Middle Atlantic Products

middleatlantic.com | middleatlantic.ca

C5 Series

basic dimensions

all dimensions in inches unless otherwise noted [all dimensions in brackets are in millimeters]



Note:
1. Air vent panel is removable and offered in different colors, required for installation.

Frame Part Number	"D" Center Distance	Air Vent Part Number	Color Code
C5-FF27-1	N/A	C5-VENT1-WH	WH White
		C5-VENT1-OW	OW Off White
		C5-VENT1-SM	SM Silver Metallic
C5-FF31-1	N/A	C5-VENT1-BK	BK Flat Black
		C5-VENT2-WH	
C5-FF27-2	22.35 [568]	C5-VENT2-OW	
		C5-VENT2-SM	
C5-FF31-2	22.35 [568]	C5-VENT2-BK	
		C5-VENT3-WH	
C5-FF27-3	22.35 [568]	C5-VENT3-OW	
		C5-VENT3-SM	
C5-FF31-3	22.35 [568]	C5-VENT3-BK	

what great systems are built on.™

A brand of **legrand**

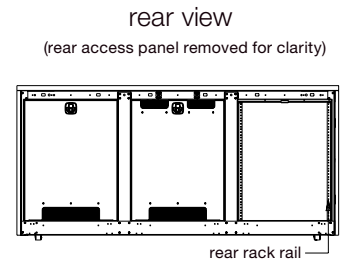
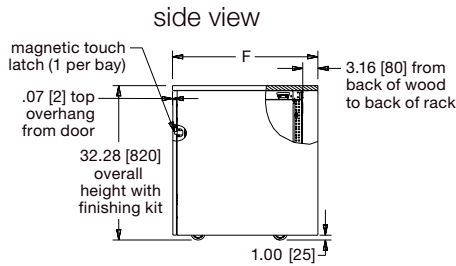
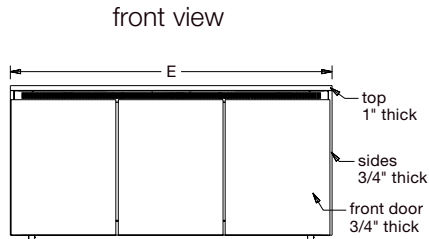
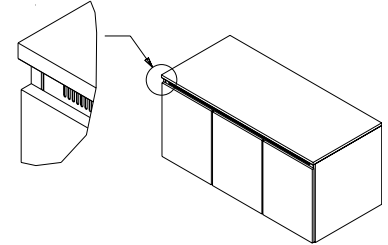
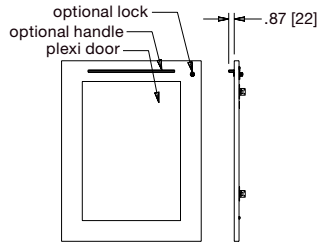
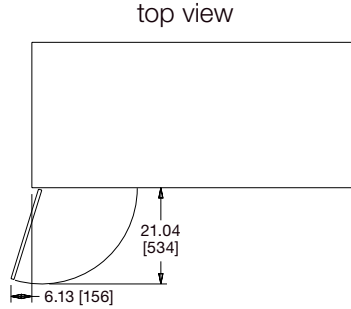
Middle Atlantic Products

middleatlantic.com | middleatlantic.ca

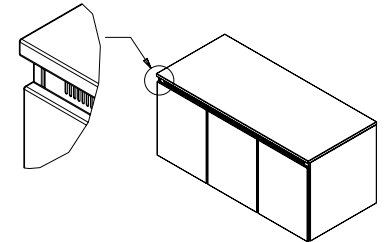
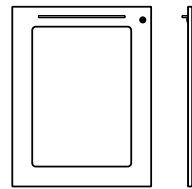
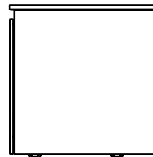
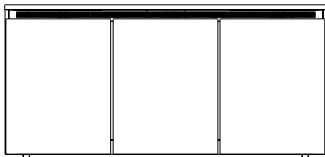
C5 Series Sota Style: basic dimensions

all dimensions in inches unless otherwise noted [all dimensions in brackets are in millimeters]

Sota Style: HPL and Veneer



Sota Style: Thermolaminate



Finishing Kit Number	Door Type	"E" Width	"F" Depth	Compatible With
C5K1A1SPXY	plexi	22.8 [580]	26.6 [676]	C5-FF27-1
C5K1A1SSXY	solid			
C5K2A1SPXY	plexi	45.1 [1146]	26.6 [676]	C5-FF27-2
C5K2A1SSXY	solid			
C5K3A1SPXY	plexi	67.5 [1715]	26.6 [676]	C5-FF27-3
C5K3A1SSXY	solid			
C5K1B1SPXY	plexi	22.8 [580]	30.4 [773]	C5-FF31-1
C5K1B1SSXY	solid			
C5K2B1SPXY	plexi	45.1 [1146]	30.4 [773]	C5-FF31-2
C5K2B1SSXY	solid			
C5K3B1SPXY	plexi	67.5 [1715]	30.4 [773]	C5-FF31-3
C5K3B1SSXY	solid			

Notes:

- To order, full part number must be generated at middleatlantic.com
- 2 Bay credenzas have a left and right door by default, 3 and 1 bay credenzas have left doors by default.

Accessory Part Number	Accessory Type	Color Code
ACC-LOCK1-BK	lock	Black
ACC-LOCK1-MA	lock	Modern Aluminum (Matte Finish)
ACC-LOCK1-WH	lock	White
ACC-HANDLE1-MA	handle	Modern Aluminum (Matte Finish)

X = suffix with V for veneer finish, suffix with H for hpl finish suffix with T for thermolaminate finish
YY = color selection; refer to middleatlantic.com for options

what great systems are built on.™

A brand of **legrand**

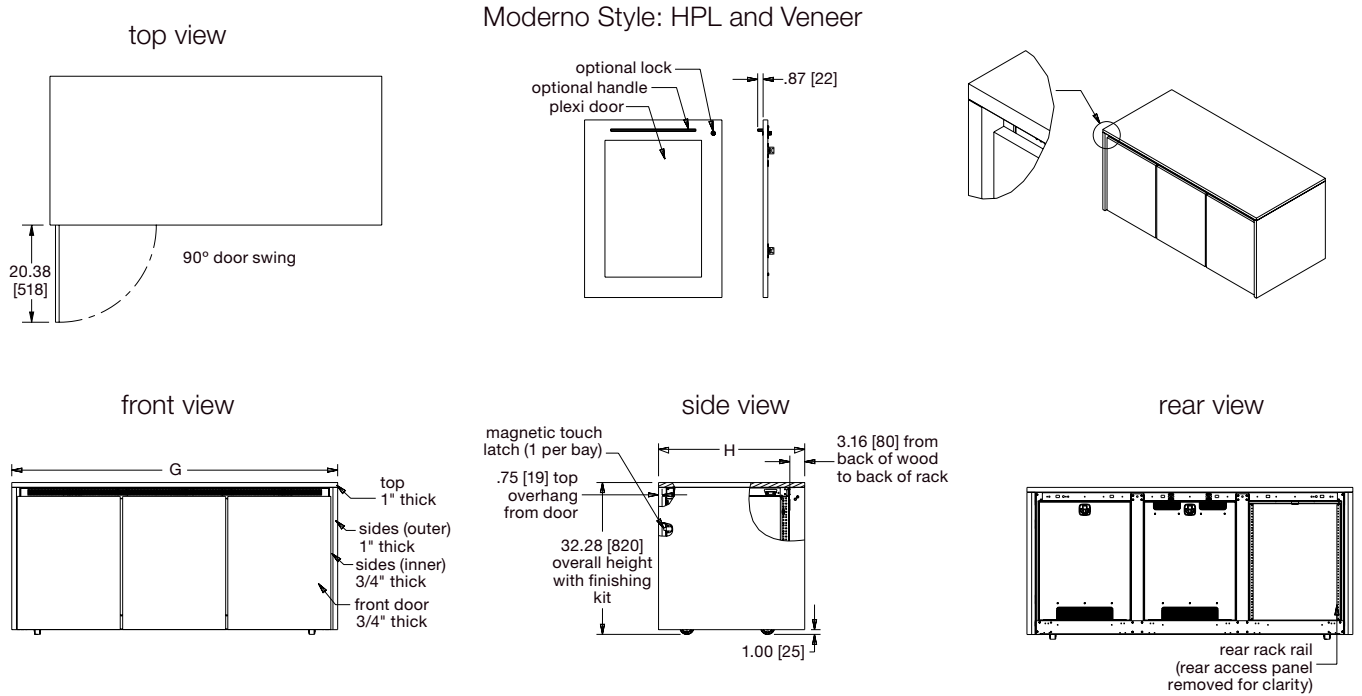


Middle Atlantic Products

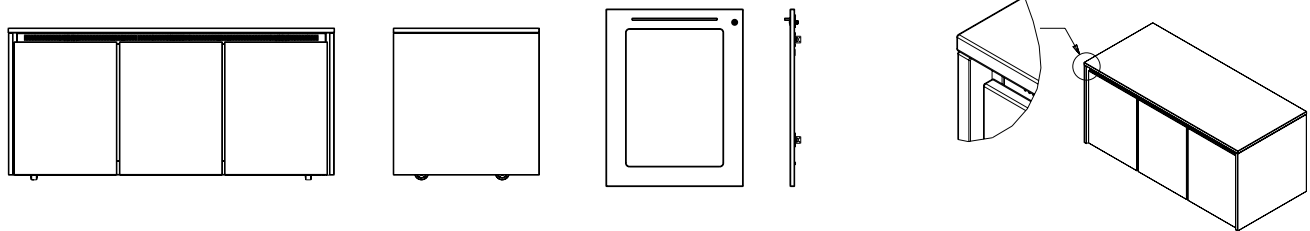
middleatlantic.com | middleatlantic.ca

C5 Series Moderno Style: basic dimensions

all dimensions in inches unless otherwise noted [all dimensions in brackets are in millimeters]



Moderno Style: Thermolaminate



Finishing Kit Number	Door Type	"G" Width	"H" Depth	Compatible With
C5K1A1MPXYY	plexi	24.9 [632]	27.3 [694]	C5-FF27-1
C5K1A1MSXYY	solid			
C5K2A1MPXYY	plexi	47.2 [1199]	27.3 [694]	C5-FF27-2
C5K2A1MSXYY	solid			
C5K3A1MPXYY	plexi	69.6 [1768]	27.3 [694]	C5-FF27-3
C5K3A1MSXYY	solid			
C5K1B1MPXYY	plexi	24.9 [632]	31.1 [790]	C5-FF31-1
C5K1B1MSXYY	solid			
C5K2B1MPXYY	plexi	47.2 [1199]	31.1 [790]	C5-FF31-2
C5K2B1MSXYY	solid			
C5K3B1MPXYY	plexi	69.6 [1768]	31.1 [790]	C5-FF31-3
C5K3B1MSXYY	solid			

X = suffix with V for veneer finish, suffix with H for hpl finish suffix with T for thermolaminate finish
YY = color selection; refer to middleatlantic.com for options

Notes:

- To order, full part number must be generated at middleatlantic.com
- 2 Bay credenzas have a left and right door by default, 3 and 1 bay credenzas have left doors by default.

Accessory Part Number	Accessory Type	Color Code
ACC-LOCK1-BK	lock	Black
ACC-LOCK1-MA	lock	Modern Aluminum (Matte Finish)
ACC-LOCK1-WH	lock	White
ACC-HANDLE1-MA	handle	Modern Aluminum (Matte Finish)

what great systems are built on.™

A brand of **legrand**

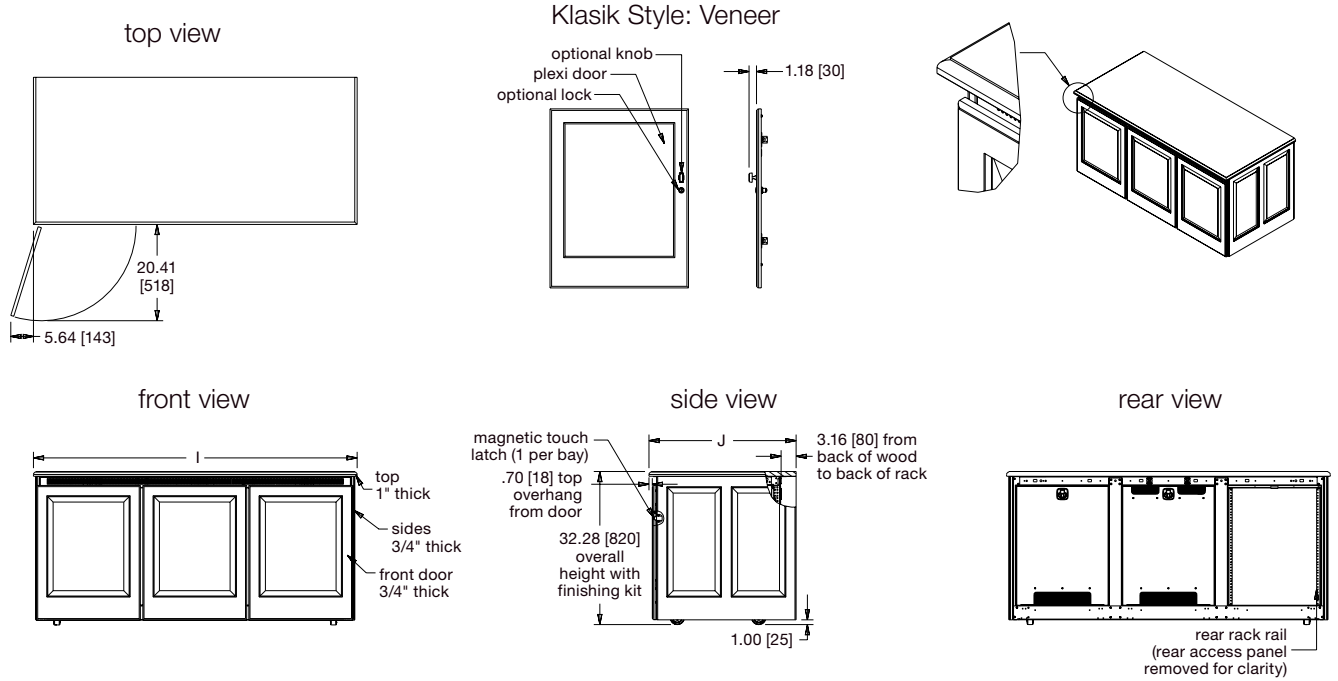
Middle Atlantic Products

middleatlantic.com | middleatlantic.ca

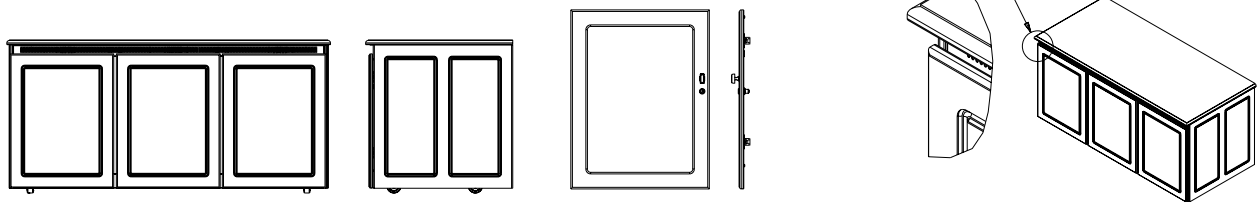
C5 Series Klasik Style:

basic dimensions

all dimensions in inches unless otherwise noted [all dimensions in brackets are in millimeters]



Klasik Style: Thermolaminate



Finishing Kit Number	Door Type	"I" Width	"J" Depth	Compatible With
C5K1A1MPXY	plexi	23.6 [600]	27.2 [691]	C5-FF27-1
C5K1A1MSXY	solid			
C5K2A1MPXY	plexi	46.0 [1169]	27.2 [691]	C5-FF27-2
C5K2A1MSXY	solid			
C5K3A1MPXY	plexi	68.3 [1735]	27.2 [691]	C5-FF27-3
C5K3A1MSXY	solid			
C5K1B1MPXY	plexi	23.6 [600]	31.1 [790]	C5-FF31-1
C5K1B1MSXY	solid			
C5K2B1MPXY	plexi	46.0 [1169]	31.1 [790]	C5-FF31-2
C5K2B1MSXY	solid			
C5K3B1MPXY	plexi	68.3 [1735]	31.1 [790]	C5-FF31-3
C5K3B1MSXY	solid			

Notes:

- To order, full part number must be generated at middleatlantic.com
- 2 Bay credenzas have a left and right door by default, 3 and 1 bay credenzas have left doors by default.

Accessory Part Number	Accessory Type	Color Code
ACC-LOCK1-SN	lock	satın nickel
ACC-LOCK1-CB	lock	classic bronze
ACC-KNOB1-CN	knob	classic nickel
ACC-KNOB1-CB	knob	classic bronze

X = suffix with V for veneer finish, suffix with H for hpl finish finish
 YY = color selection; refer to middleatlantic.com for options

what **great systems** are built on.™

A brand of **legrand**



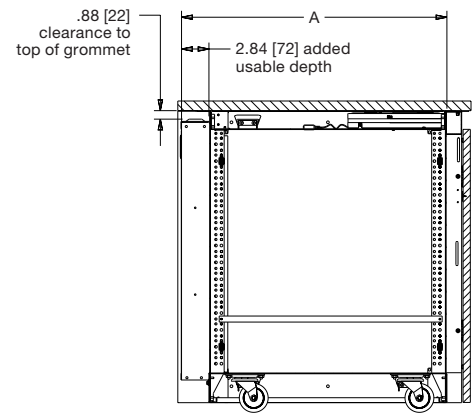
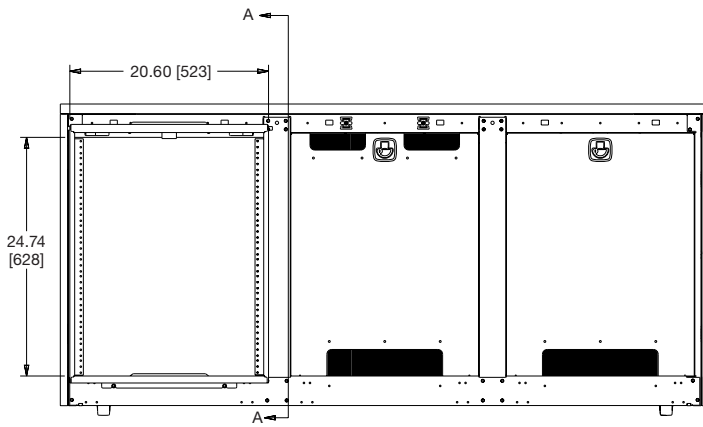
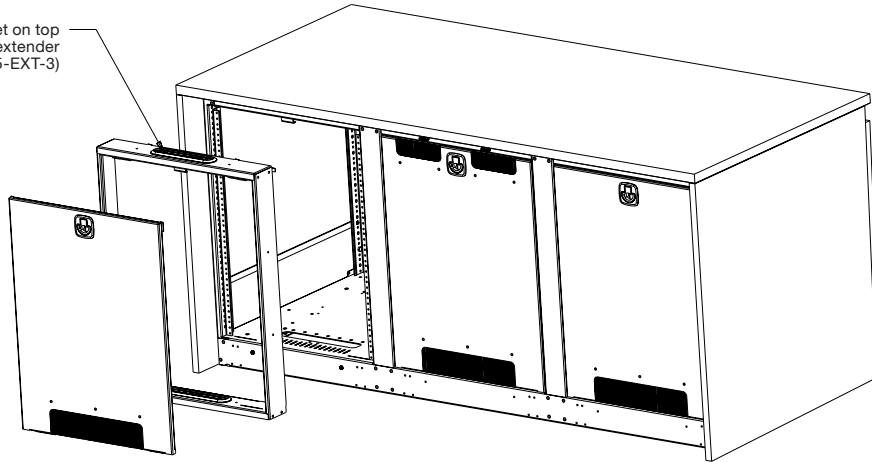
Middle Atlantic Products

middleatlantic.com | middleatlantic.ca

C5 Series: basic dimensions

all dimensions in inches unless otherwise noted [all dimensions in brackets are in millimeters]

1" x 7" cable grommet on top and bottom of c5 extender (p/n: C5-EXT-3)



Frame Part Number	"A" Combined Depth
C5-FF27-1, C5-FF27-2, C5-FF27-3	23.65 [601]
C5-FF31-1, C5-FF31-2, C5-FF31-3	27.51 [699]

what **great systems** are built on.™

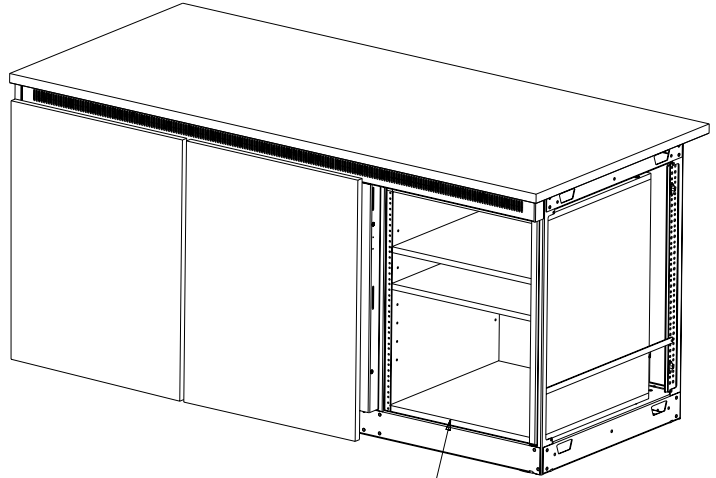
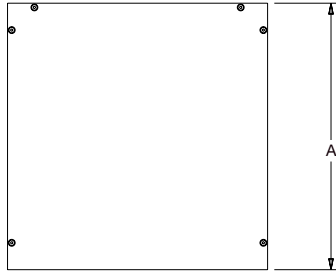
A brand of **legrand**



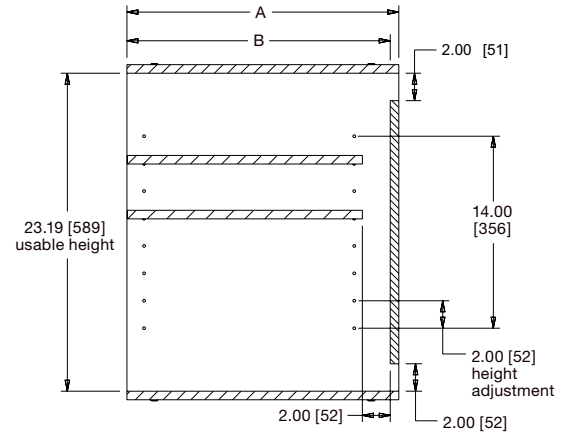
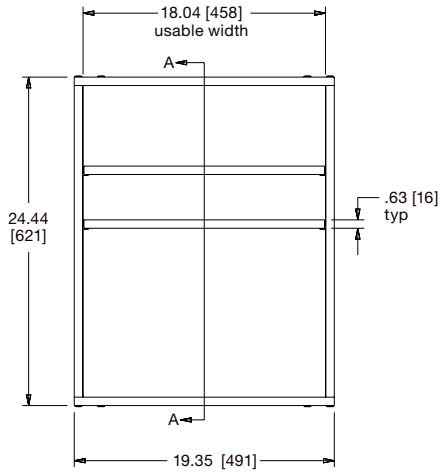
Middle Atlantic Products
middleatlantic.com | middleatlantic.ca

C5 Series: basic dimensions

all dimensions in inches unless otherwise noted [all dimensions in brackets are in millimeters]



shelf shown installed in c5 credenza with door and side panel removed for clarity



Part Number	"A" Depth	"B" Usable Depth	Compatible Frames
C5-SH-SYS27	15.97 [406]	15.34 [390]	C5-FF27-1, C5-FF27-2, C5-FF27-3
C5-SH-SYS31	19.83 [504]	19.20 [488]	C5-FF31-1, C5-FF31-2, C5-FF31-3

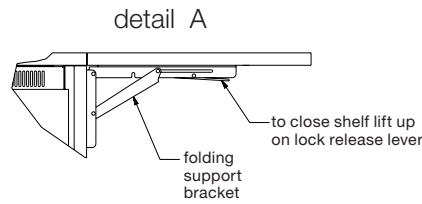
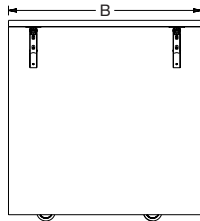
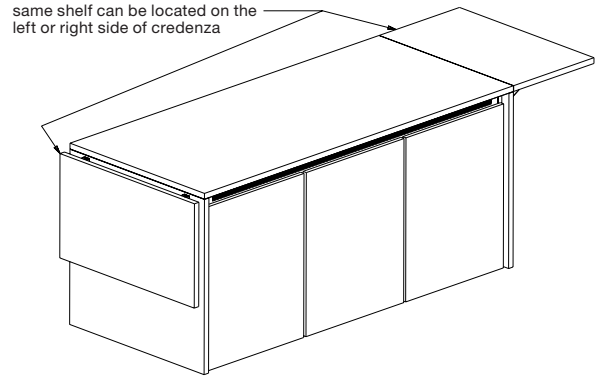
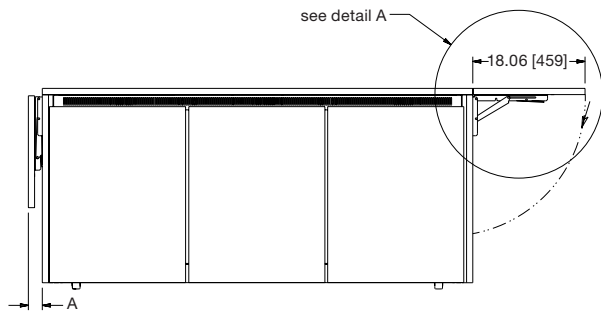
what **great systems** are built on.™

A brand of **Legrand**

Middle Atlantic Products
middleatlantic.com | middleatlantic.ca

C5 Series: basic dimensions

all dimensions in inches unless otherwise noted [all dimensions in brackets are in millimeters]



Part Number	Compatible Frames	Compatible Styles	Compatible Finish Type	"A" Overhang	"B" Depth
C5-MFS27-VXX	C5-FF27-1, C5-FF27-2, C5-FF27-3	Moderno	Veneer	2.25 [57.15]	27.3 [694]
C5-MFS31-VXX	C5-FF31-1, C5-FF31-2, C5-FF31-3	Moderno	Veneer	2.25 [57.15]	31.1 [790]
C5-MFS27-HXX	C5-FF27-1, C5-FF27-2, C5-FF27-3	Moderno	HPL	2.25 [57.15]	27.3 [694]
C5-MFS31-HXX	C5-FF31-1, C5-FF31-2, C5-FF31-3	Moderno	HPL	2.25 [57.15]	31.1 [790]
C5-MFS27-TXX	C5-FF27-1, C5-FF27-2, C5-FF27-3	Moderno	Thermolaminate	2.25 [57.15]	27.3 [694]
C5-MFS31-TXX	C5-FF31-1, C5-FF31-2, C5-FF31-3	Moderno	Thermolaminate	2.25 [57.15]	31.1 [790]
C5-SFS27-VXX	C5-FF27-1, C5-FF27-2, C5-FF27-3	Sota	Veneer	2.25 [57.15]	26.6 [676]
C5-SFS31-VXX	C5-FF31-1, C5-FF31-2, C5-FF31-3	Sota	Veneer	2.25 [57.15]	30.4 [773]
C5-SFS27-HXX	C5-FF27-1, C5-FF27-2, C5-FF27-3	Sota	HPL	2.25 [57.15]	26.6 [676]
C5-SFS31-HXX	C5-FF31-1, C5-FF31-2, C5-FF31-3	Sota	HPL	2.25 [57.15]	30.4 [773]
C5-SFS27-TXX	C5-FF27-1, C5-FF27-2, C5-FF27-3	Sota	Thermolaminate	2.25 [57.15]	26.6 [676]
C5-SFS31-TXX	C5-FF31-1, C5-FF31-2, C5-FF31-3	Sota	Thermolaminate	2.25 [57.15]	30.4 [773]
C5-KFS27-VXX	C5-FF27-1, C5-FF27-2, C5-FF27-3	Klasik	Veneer	2.25 [57.15]	27.2 [691]
C5-KFS31-VXX	C5-FF31-1, C5-FF31-2, C5-FF31-3	Klasik	Veneer	2.25 [57.15]	31.1 [790]
C5-KFS27-TXX	C5-FF27-1, C5-FF27-2, C5-FF27-3	Klasik	Thermolaminate	2.25 [57.15]	27.2 [691]
C5-KFS31-TXX	C5-FF31-1, C5-FF31-2, C5-FF31-3	Klasik	Thermolaminate	2.25 [57.15]	31.1 [790]

XX = color designation; refer to middleatlantic.com for options

what **great systems** are built on.™

A brand of **legrand**

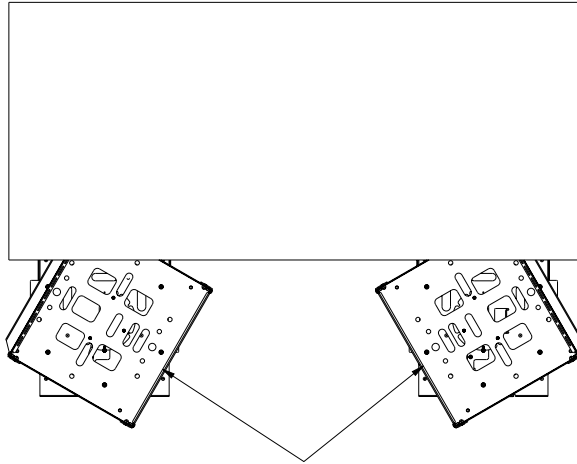
Middle Atlantic Products

middleatlantic.com | middleatlantic.ca

C5 Series: basic dimensions

all dimensions in inches unless otherwise noted [all dimensions in brackets are in millimeters]

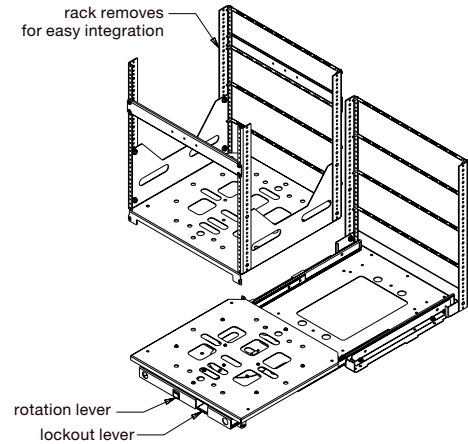
top view



C5D-SRSR12 shown rotated 60° in both directions

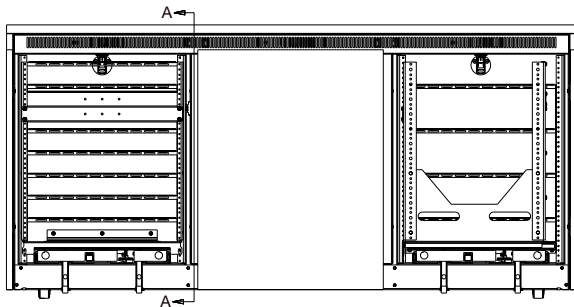
It is recommended that the front door be removed to provide rear access when extending and rotating the rack bay.

rack removes for easy integration



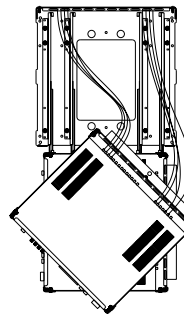
rotation lever
lockout lever

front view



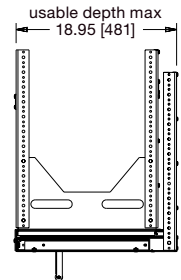
top view

for easy installation and servicing
locks in place 0°, 60° and 90°



side view

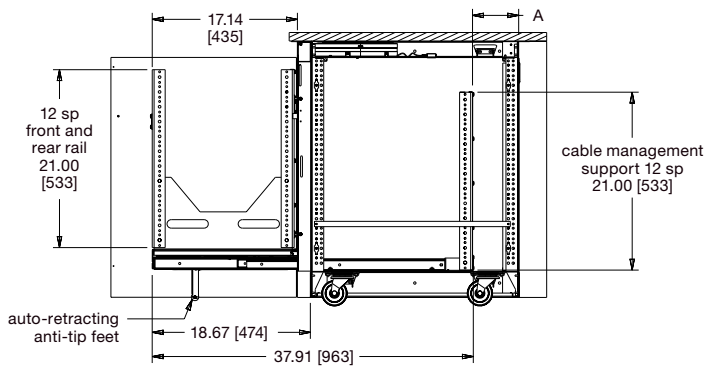
closed position



usable depth max
18.95 [481]

side view

fully extended position



Frame Part Number	"A" Rack Rail & Rear Access Panel Distance
C5-FF27-3, C5-FF27-2, C5-FF27-1	1.55 [40]
C5-FF31-3, C5-FF31-2, C5-FF31-1	5.41 [138]

what great systems are built on.™

A brand of **legrand**



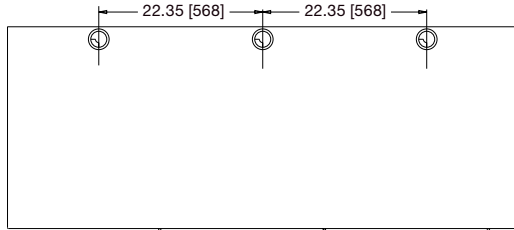
Middle Atlantic Products

middleatlantic.com | middleatlantic.ca

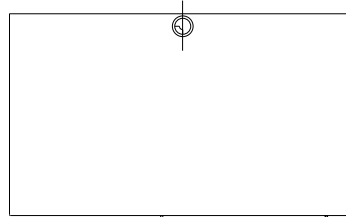
C5 Series: basic dimensions

all dimensions in inches unless otherwise noted [all dimensions in brackets are in millimeters]

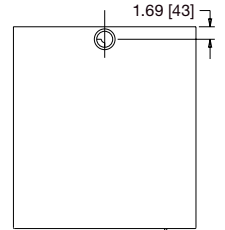
top view 3 bay



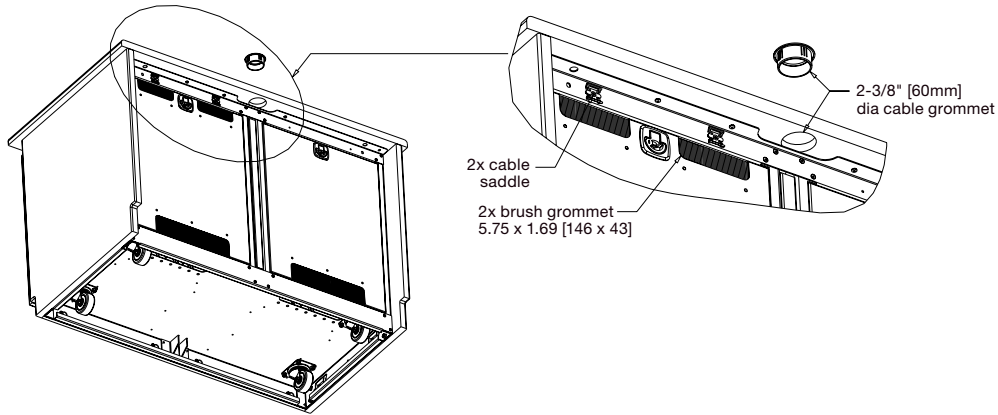
top view 2 bay



top view 1 bay



bottom view

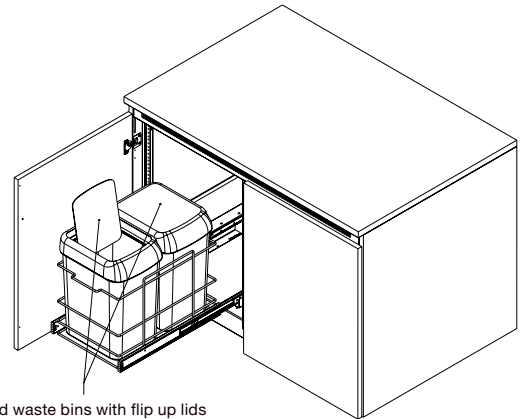
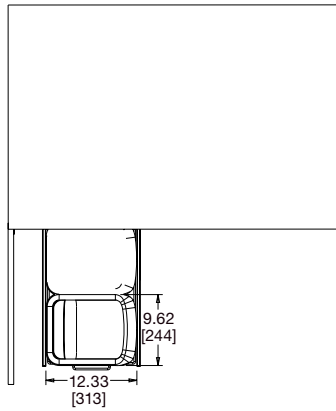


Note:
when optional monitor mount is used, CG locations are eliminated where monitor is placed

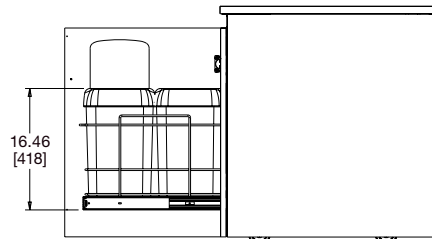
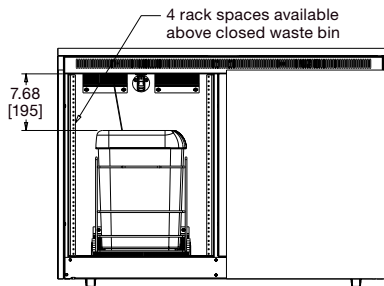
Part Number	Respective Wood Finish
C5-CG-H	HPL
C5-CG-T	Thermolaminate
C5-CG-V	Veneer

C5 Series: basic dimensions

all dimensions in inches unless otherwise noted [all dimensions in brackets are in millimeters]



two contoured waste bins with flip up lids
color coded blue and tan for recycling ease
22 liter capacity each



Note:
waste bin can be installed in any bay in all C5 credenzas

what **great systems** are built on.™

A brand of **legrand**

MA

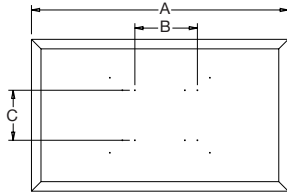
Middle Atlantic Products

middleatlantic.com | middleatlantic.ca

C5 Series: Monitor Mount

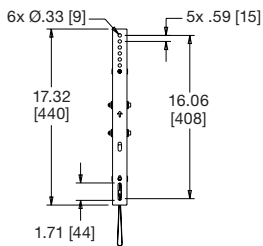
basic dimensions

all dimensions in inches unless otherwise noted [all dimensions in brackets are in millimeters]

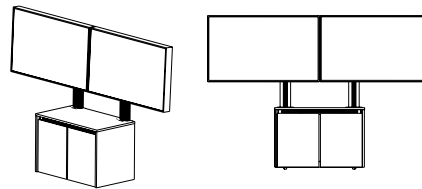


Part Number	A Display Width	B VESA Pattern Accommodation	C VESA Pattern Accommodation	Compatible w/ Frame Model No.
C5MM-90S-62XX C5MM-90S-75XX	90 [2286] & under	75 to 800	200 to 400	C5-FF27-2 C5-FF31-2 C5-FF27-3 C5-FF31-3
C5MM-63D-62XX C5MM-63D-75XX	63 [1600] & under	75 to 600	200 to 400	
C5MM-90D-62XX C5MM-90D-75XX	90 [2286] & under	75 to 800	200 to 400	C5-FF27-3 C5-FF31-3

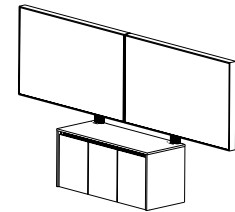
XX= AL (Aluminum Finish) or XX= BK (Black Anodized Finish)



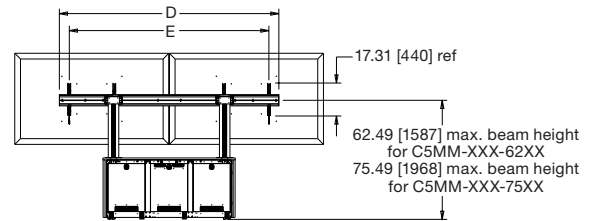
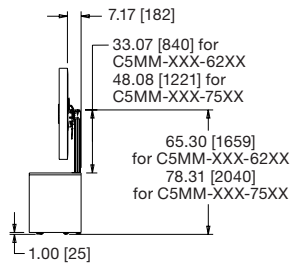
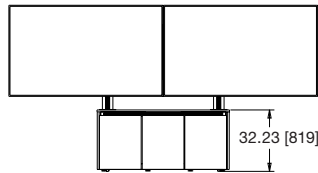
2 bay c5



3 bay c5



display mount bracket
hole pattern



Part Number	Single or Dual Displays	Display Size	2 Bay Max Weight Capacity lb. [kg]	3 Bay Max Weight Capacity lb. [kg]	Min Weight in C5 Base	D Horizontal Length	E Max Distance Outer Verticals
C5MM-90S-62XX	single	42 [1067] to 90 [2286]	400 [181]	400 [181]	25 [11]	45.55 [1157]	31.50 [800]
C5MM-90S-75XX			250 [113]	350 [159]	25 [11]		
C5MM-63D-62XX	dual	50 [1270] to 63 [1600]	400 [181]	400 [181]	25 [11]	94.20 [2393]	93.0 [2362]
C5MM-63D-75XX			250 [113]	350 [159]	25 [11]		
C5MM-90D-62XX	dual	64 [1625] to 90 [2286]	n/a	400 [181]	25 [11]	115.20 [2926]	113.81 [2891]
C5MM-90D-75XX			n/a	350 [159]	25 [11]		

what **great systems** are built on.™

A brand of **Legrand**

MA

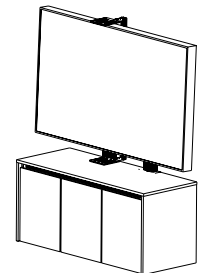
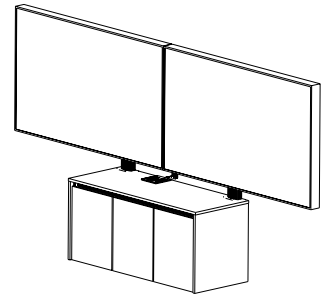
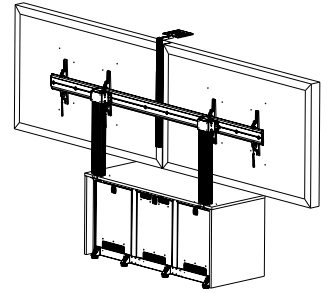
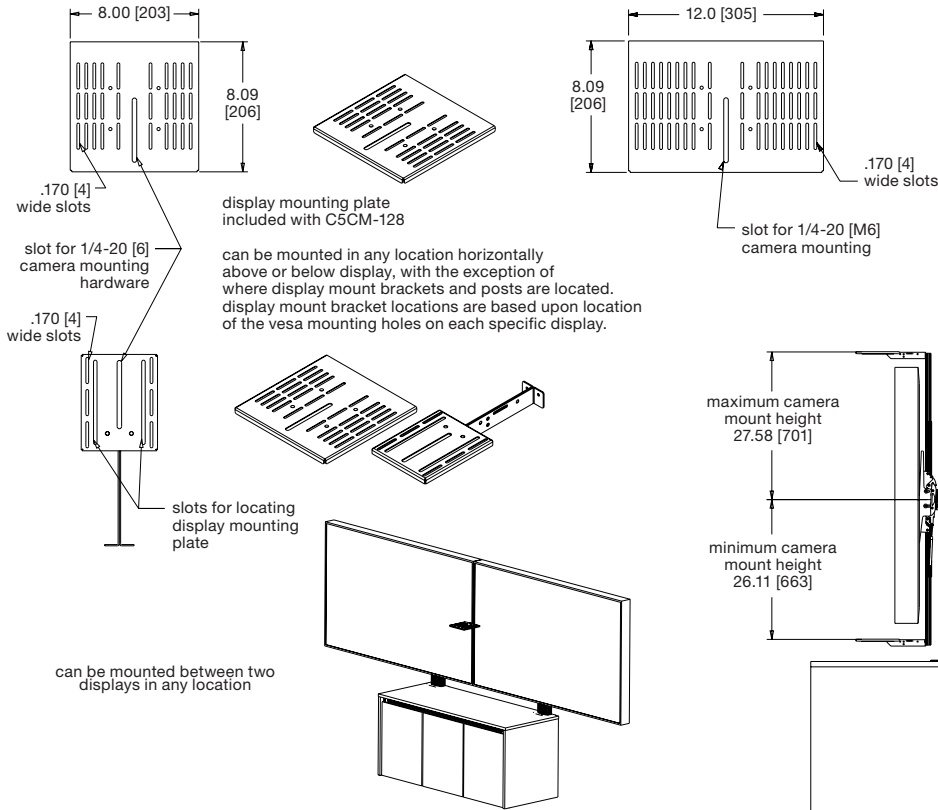
Middle Atlantic Products

middleatlantic.com | middleatlantic.ca

C5 Series: Monitor Mount

basic dimensions

all dimensions in inches unless otherwise noted [all dimensions in brackets are in millimeters]



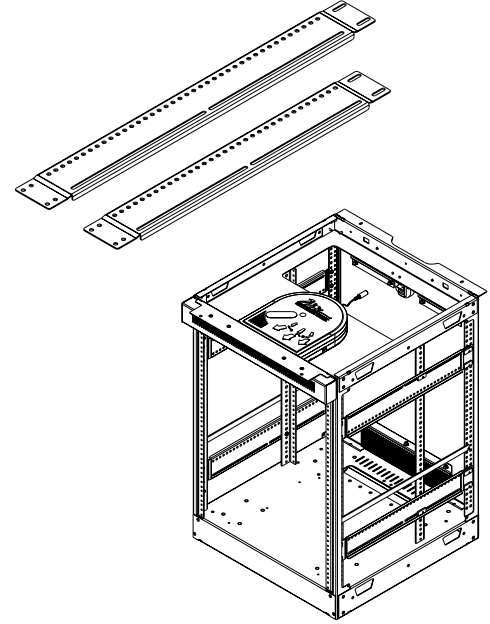
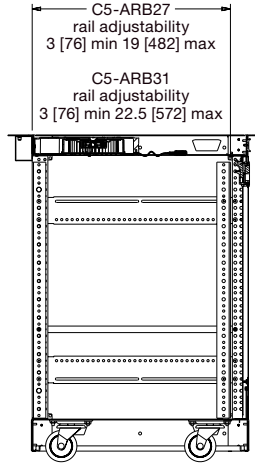
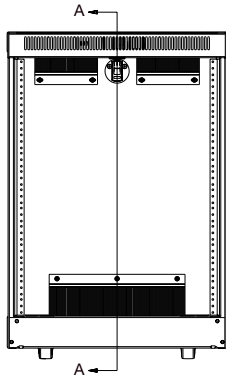
Part Number	Mounting Location	Platform Size
C5CM-128	Middle, Top, or Bottom	12x8, 8x8 & 6x4 3/4

C5 Series: Adjustable Rail Bracket

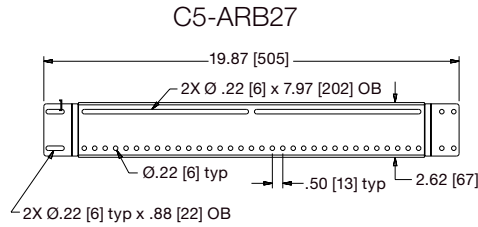
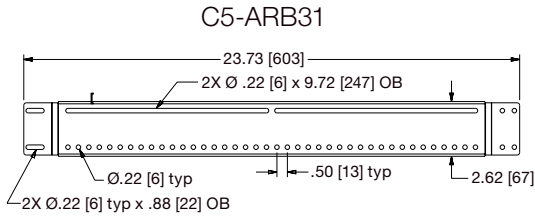
basic dimensions

all dimensions in inches unless otherwise noted [all dimensions in brackets are in millimeters]

front view



side view
rear rail shown in max position



Part Number	Compatible With
C5-ARB27	C5-FF27-1 C5-FF27-2 C5-FF27-3
C5-ARB31	C5-FF31-1 C5-FF31-2 C5-FF31-3

what **great systems** are built on.™

A brand of **legrand**

Middle Atlantic Products

middleatlantic.com | middleatlantic.ca